



compactus®

Introduction

Side2Side 2 is the ideal system for transforming under-utilised areas such as alcoves into efficient storage space. It's simple; we just place a row of mobile shelving in front of a row of static shelving. This eliminates the need for permanent aisles as items stored are accessed from the front.

More accessible bays provide multiple 'picking faces', giving faster access for more operators to more stored items. Easily add to your Side2Side 2 system should the need arise.

Features

- Create an extremely efficient use of unconventional storage areas by mounting Ultima CI-80 shelving onto the attractive Side2Side 2 track and runner system
- More accessible bays provide multiple 'picking faces', giving faster access for more operators to more stored items
- The innovative low profile track design provides great strength and enhanced mobility for the side to side base runners
- Attractive clip on track ramps further reduce trip hazards when accessing rear bays. The pivoting ramps allow a seamless transition between the flooring material and track
- The unique track based anti-tilt mechanism secures all shelving, further enhancing operator safety
- Easily upgrade from Dexion Ultima CI-80 shelving system

Technical specifications

Drive type	Manual
Shelving & accessory system	Ultima CI-80
Maximum system width	Unlimited
Shelving width (bay width)	750mm 900mm 1050mm 1200mm
Shelving depth	300mm 400mm 450mm 500mm 600mm
Shelving height	975mm 1875mm 2175mm 2400mm
Overall system heights	1040mm 1940mm 2240mm 2465mm
Maximum bay carrying capacity*	500kg
Maximum movable block load*	1000kg
Anti-tilt system	Track & runner
Standard colour	Stone White
Other colours	Refer to Dexion Colour Selector

*Uniformly Distributed Load. Shelf, beam and bay capacities vary, contact your Dexion representative for specific maximum loads based on your configuration.

Typical floor plan

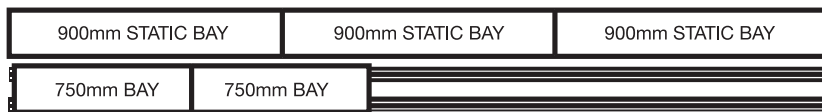
Overall unit depth: Lateral movement units are used in limited space situations, such as narrow rooms or corridors. The static bays comprise standard Ultima CI-80 static shelving, which sits on the floor, generally against a wall. The mobile units consist of individual 750, 900, 1050, or 1200mm wide bays, which move side ways on tracks and runners (trolley assemblies) in front of the static bays.

Note:

- In lateral installations, all mobile bays are individual single bays.
- The recommended clearance between front of the static unit roll posts and back panel or corner cover strip of mobile unit is 50mm.

Example configuration – 900mm static bays and 750mm mobile bays

Number of 900mm static bays	2	3	4	5	6	7	8
Number of 750mm mobile bays	1	2	3	4	5	6	7



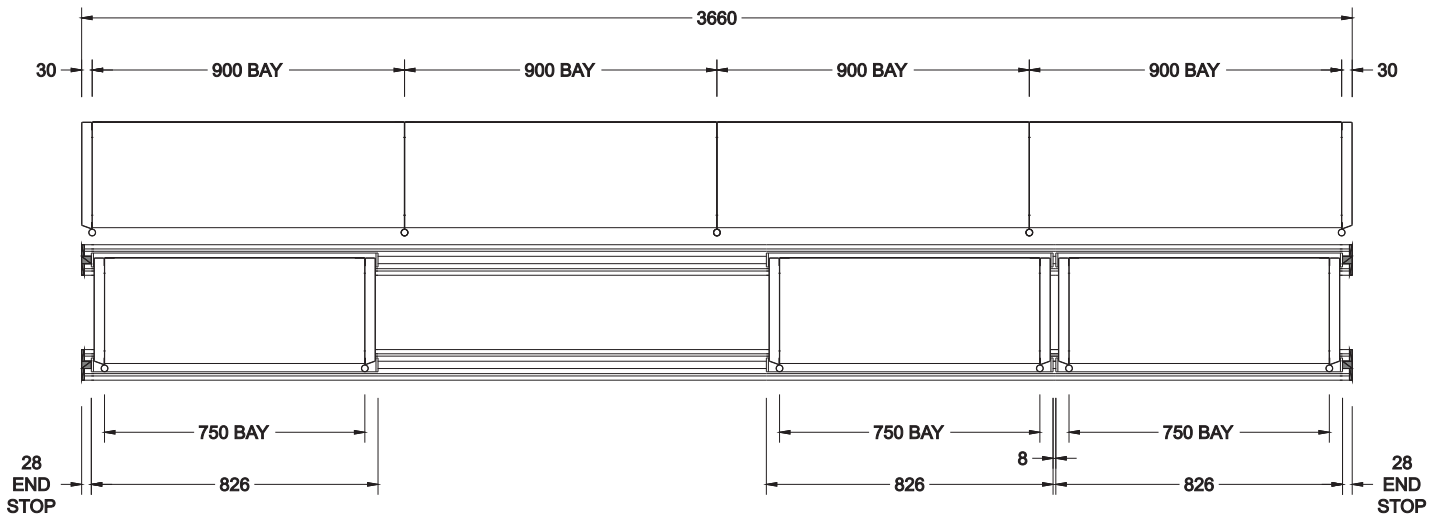
Other

Accessories

- Shelf – slotted
- Shelf – plain
- Shelf stiffener
- Divider – binning
- Divider – slotted shelf
- Divider – wrap around
- Filing rack – suspended
- Filing rack – wrap around
- Hanging file chassis
- Coat rail
- Bin fronts
- Roll out – file frame
- Roll out – media drawer
- Roll out – reference shelf
- Bins

Overall dimensions

In installation, it is advised that the unit closest to a wall has a 50mm clearance away from the wall.



Floor loads

Please contact your Dexion representative for information relating to point loads exerted by the wheels on the tracks.